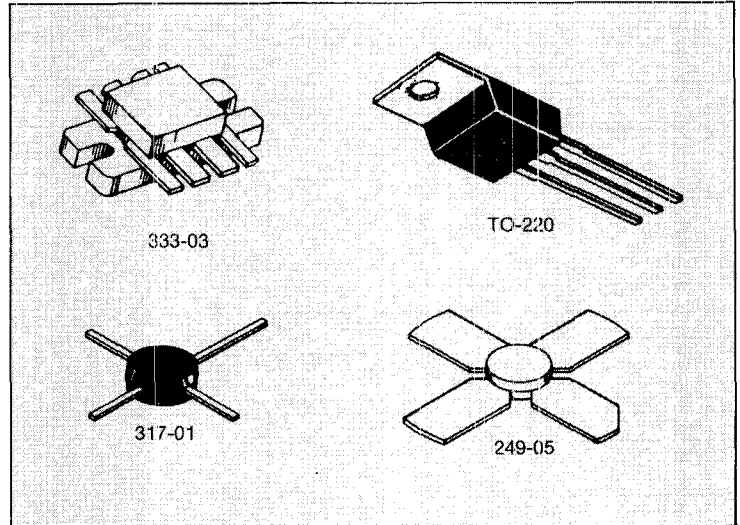


RF PRODUCTS — BIPOLAR POWER TRANSISTORS (continued)

3



UHF Applications (continued)

407–512 MHz, UHF FM Transistors

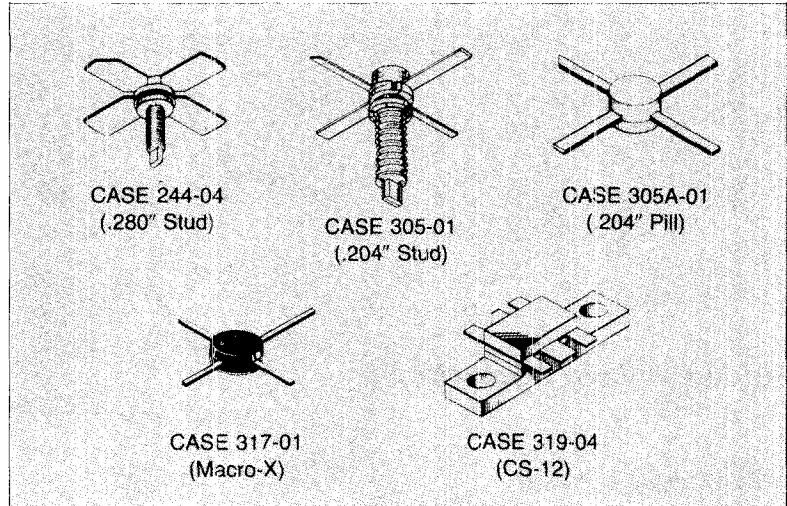
Higher power output devices in this UHF power transistor series feature internally input-matched construction, are designed for broadband operation, and have guaranteed ruggedness under output mismatch and RF overdrive conditions. Devices are specified for handheld, mobile and base station operation.

Device	P _{out} Output Power Watts	P _{in} Input Power Watts	G _{PE} Power Gain dB Min	V _{CC} Supply Voltage Volts	Package
MRF750	0.5	0.05	10	7.5	305A-01
MRF752	2.5	0.4	8.0	7.5	249-05
MRF754	8.0	2.0	8.0	7.5	249-05
MRF627	0.5	0.05	10	12.5	305A-01
MRF559	0.5	0.025	13	12.5	317-01
MRF581	0.6	0.023	14	12.5	317-01
MRF515	0.75	0.12	8.0	12.5	TO-205AD
MRF555	1.5	0.15	10	12.5	3170-01
MRF629*	2.0	0.32	8.0	12.5	79-03
2N5944	2.0	0.25	9.0	12.5	244-04
MRF630*	3.0	0.33	9.5	12.5	79-03
2N5945	4.0	0.64	8.0	12.5	244-04
MRF652	5.0	0.50	10	12.5	244-04
2N5946	10	2.5	6.0	12.5	244-04
MRF653	10	2.0	7.0	12.5	244-04
MRF654	15	2.5	7.8	12.5	244-04
MRF641**	15	2.5	7.8	12.5	316-01
MRF644**	25	5.9	6.2	12.5	316-01
MRF646**	40	13.3	4.8	12.5	316-01
MRF648**	60	22	4.4	12.5	316-01
MRF338**	80	15	7.3	28	333-03

*Grounded Emitter CASE 79-03 (TO-205 Type)

**Internal Impedance Matched

RF PRODUCTS — BIPOLAR POWER TRANSISTORS (continued)



UHF Applications (continued)

806–960 MHz, FM Transistors

Designed specifically for the 800 MHz mobile radio band, types MRF840 through 846 offer superior gain and ruggedness, using the unique CS-12 package, which minimizes common-element impedance, and thus maximizes gain and stability. Devices are listed for mobile and base station applications.

Device	P _{out} Output Power Watts	P _{in} Input Power Watts	G _{PE} Power Gain dB Min	V _{CC} Supply Voltage Volts	Package
MRF559	0.50	0.080	8.0	12.5	317-01
MRF581	0.6	0.06	10#	12.5	317-01
MRF837	0.75	0.125	8.0	12.5	317-01
MRF8372	0.75	0.11	8.0	12.5	751-01
*MRF838/A	1.0	0.22	6.5	12.5	305A-01
MRF557	1.5	0.25	8.0	12.5	317D-01
*MRF870/A	3.0	1.0	5.0	12.5	305A-01
MRF839	3.0	0.5	8.0	12.5	305-01
MRF841 ^a	5.0	0.70	8.5	12.5	244-04
MRF840 ^a	10	2.5	6.0	12.5	319-04
MRF843 ^a	15.0	3.0	7.0	12.5	244-04
MRF842 ^a	20	5.0	6.0	12.5	319-04
MRF844 ^a	30	9.0	5.2	12.5	319-04
MRF846 ^a	40	15	4.3	12.5	319-04
MRF890	2.0	0.25	9.0	24	305-01
MRF891	5.0	0.6	9.0	24	319-04
MRF892 ^a	14	2.0	8.5	24	319-04
MRF894 ^a	30	6.0	7.0	24	319-04

^a Common Base
 # Typical
 *A Version in Package 305-01