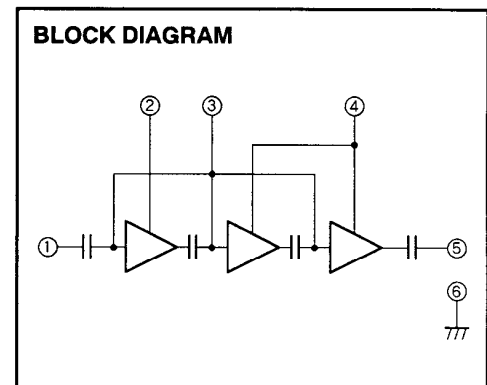
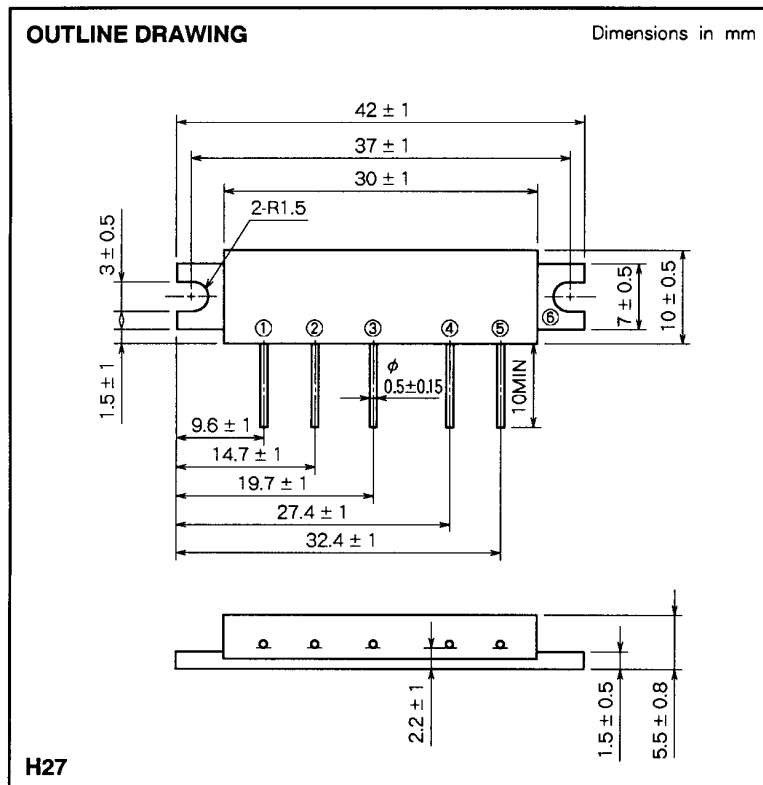


M67749UH

470-490MHz, 12.5V, 7W, FM PORTABLE RADIO



- PIN :
- ① Pin : RF INPUT
 - ② Vcc1 : 1st. DC SUPPLY
 - ③ VBB : BASE BIAS SUPPLY
 - ④ Vcc2 : 2nd. DC SUPPLY
 - ⑤ Po : RF OUTPUT
 - ⑥ GND : FIN

ABSOLUTE MAXIMUM RATINGS (T_c = 25°C unless otherwise noted)

| Symbol | Parameter | Conditions | Ratings | Unit |
|----------------------|----------------------------|--|-------------|------|
| V _{CC} | Supply voltage | V _{BB} ≤ 5V | 15 | V |
| V _{BB} | Base bias | V _{CC} ≤ 12.5V | 5.5 | V |
| I _{CC} | Total current | Z _G = Z _L = 50 Ω | 4 | A |
| P _{in(max)} | Input power | f=470-490MHz, V _{CC1} ≤ 12.5V, Z _G =Z _L =50 Ω | 40 | mW |
| P _{O(max)} | Output power | f=470-490MHz, V _{CC1} ≤ 12.5V, Z _G =Z _L =50 Ω | 10 | W |
| T _{C(OP)} | Operation case temperature | Z _G = Z _L = 50 Ω | - 30 to 110 | °C |
| T _{stg} | Storage temperature | | - 40 to 110 | °C |

Note. Above parameters are guaranteed independently.

ELECTRICAL CHARACTERISTICS (T_c = 25°C unless otherwise noted)

| Symbol | Parameter | Test conditions | Limits | | Unit |
|-----------------|---------------------|---|---------------------------|------|------|
| | | | Min | Max | |
| f | Frequency range | V _{CC} = 12.5V V _{BB} = 5V P _{in} = 20mW Z _G = Z _L = 50 Ω | 470 | 490 | MHz |
| P _O | Output power | | 7 | | W |
| η _T | Total efficiency | | 35 | | % |
| 2f _o | 2nd. harmonic | | | - 25 | dBc |
| 3f _o | 3rd. harmonic | | | - 30 | dBc |
| ρ _{in} | Input VSWR | | 2.5 | - | |
| - | Load VSWR tolerance | V _{CC2} = 13.2V, V _{BB} = 5V, P _{in} = 20mW P _O = 7W (V _{CC1} : controlled) Load VSWR=20:1(All phase), 2sec. Z _G = 50Ω | No degradation or destroy | | - |

Note. Above parameters, ratings, limits and conditions are subject to change.