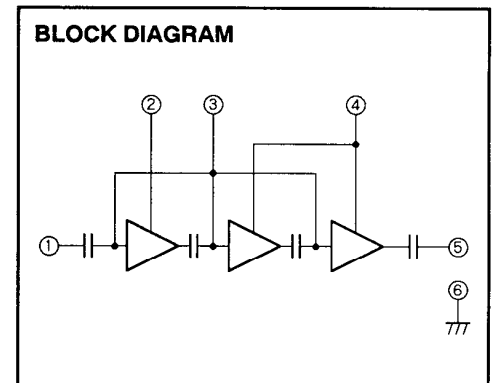
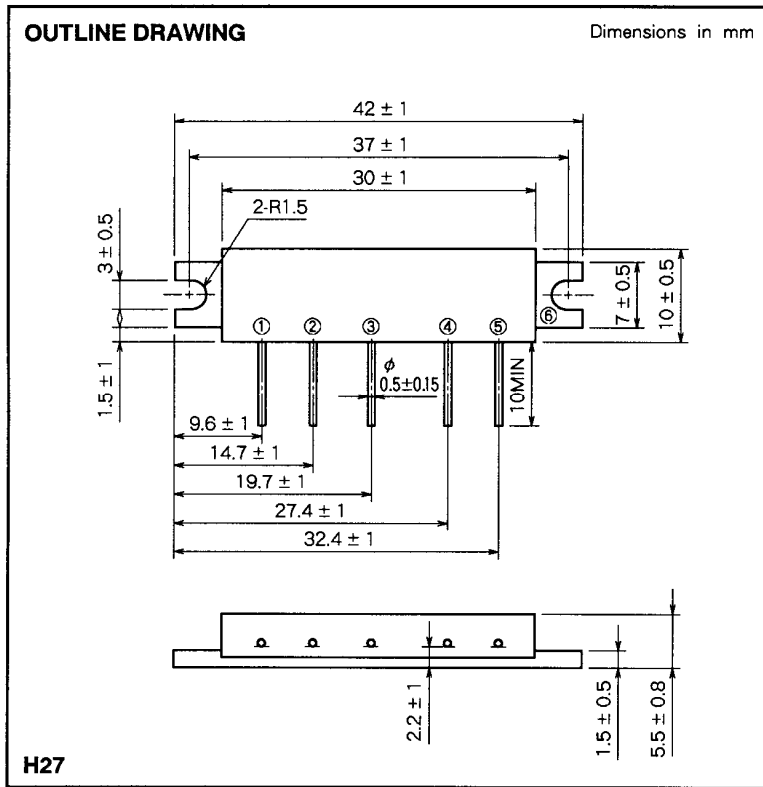


M67749SL

350-370MHz, 12.5V, 7W, FM PORTABLE RADIO



- PIN :
- ① Pin : RF INPUT
 - ② Vcc1 : 1st. DC SUPPLY
 - ③ VBB : BASE BIAS SUPPLY
 - ④ Vcc2 : 2nd. DC SUPPLY
 - ⑤ Po : RF OUTPUT
 - ⑥ GND : FIN

ABSOLUTE MAXIMUM RATINGS (Tc = 25°C unless otherwise noted)

Symbol	Parameter	Conditions	Ratings	Unit
Vcc	Supply voltage	VBB = 5V, ZL = 50Ω	15	V
VBB	Base bias	Vcc ≤ 12.5V	5.5	V
Icc	Total current		4	A
Pin(max)	Input power	Vcc1 ≤ 12.5V, VBB = 5V, ZG = ZL = 50Ω	40	mW
PO(max)	Output power	Vcc1 ≤ 12.5V, VBB = 5V, ZG = ZL = 50Ω	10	W
Tc(OP)	Operation case temperature	ZG = ZL = 50Ω	- 30 to 110	°C
Tstg	Storage temperature		- 40 to 110	°C

Note. Above parameters are guaranteed independently.

ELECTRICAL CHARACTERISTICS (Tc = 25°C unless otherwise noted)

Symbol	Parameter	Test conditions	Limits		Unit
			Min	Max	
f	Frequency range	Vcc1 = Vcc2 = 12.5V VBB = 5V Pin = 20mW ZG = ZL = 50Ω	350	370	MHz
Po	Output power		7		W
ηT	Total efficiency		35		%
2fo	2nd. harmonic			- 25	dBc
3fo	3rd. harmonic			- 30	dBc
ρin	Input VSWR			2.5	-
-	Load VSWR tolerance	Vcc2 = 13.2V, VBB = 5V, Pin = 20mW Po = 7W (Vcc1 : controlled) Load VSWR ≥ 20:1 (All phase), 5sec. ZG = 50Ω	No degradation or destroy		-

Note. Above parameters, ratings, limits and conditions are subject to change.