

# LM125/LM325 Dual Voltage Regulators

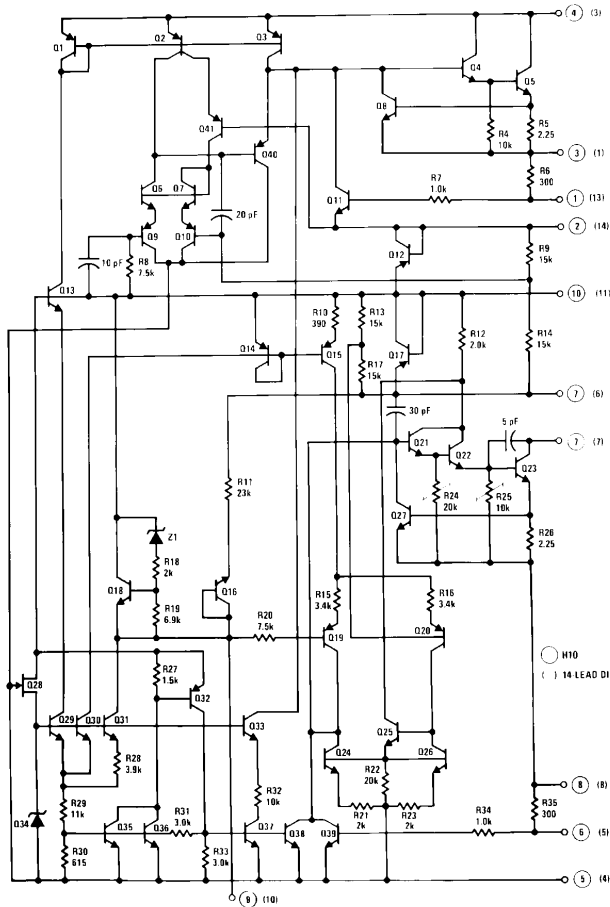
## General Description

These dual polarity tracking regulators are designed to provide balanced positive and negative output voltages at current up to 100 mA, and are set for  $\pm 15V$  outputs. Input voltages up to  $\pm 30V$  can be used and there is provision for adjustable current limiting. These devices are available in two package types to accommodate various power requirements and temperature ranges.

## Features

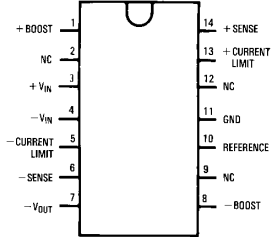
- $\pm 15V$  tracking outputs
- Output current to 100 mA
- Output voltage balanced to within 2%
- Line and load regulation of 0.06%
- Internal thermal overload protection
- Standby current drain of 3 mA
- Externally adjustable current limit
- Internal current limit

## Schematic and Connection Diagrams



TL/H/7776-1

### Dual-In-Line Package

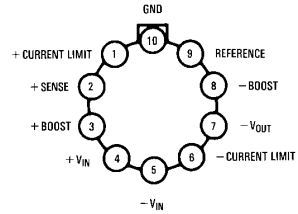


TL/H/7776-2

### Top View

Order Number LM325N  
See NS Package Number N14A

### Metal Can Package



Case connected to  $-V_{IN}$  TL/H/7776-3

### Top View

Order Number LM125H/883 or LM325H  
See NS Package Number H10C

## Absolute Maximum Ratings

If Military/Aerospace specified devices are required, please contact the National Semiconductor Sales Office/Distributors for availability and specifications. (Note 5)

Input Voltage	±30V
Forced $V_{O+}$ (Min) (Note 1)	-0.5V
Forced $V_{O-}$ (Max) (Note 1)	+0.5V
Power Dissipation (Note 2)	$P_{MAX}$
Output Short-Circuit Duration (Note 3)	Continuous

## Operating Conditions

Operating Free Temperature Range	
LM125	-55°C to +125°C
LM325	0°C to +70°C
Storage Temperature Range	-65°C to +150°C
Lead Temperature (Soldering, 10 sec.)	300°C

## Electrical Characteristics LM125/LM325 (Note 2)

Parameter	Conditions	Min	Typ	Max	Units
Output Voltage LM125 LM325	$T_j = 25^\circ\text{C}$	14.8 14.5	15 15	15.2 15.5	V V
Input-Output Differential		2.0			V
Line Regulation	$V_{IN} = 18\text{V to }30\text{V}$ , $I_L = 20\text{ mA}$ , $T_j = 25^\circ\text{C}$		2.0	10	mV
Line Regulation Over Temperature Range	$V_{IN} = 18\text{V to }30\text{V}$ , $I_L = 20\text{ mA}$ ,		2.0	20	mV
Load Regulation $V_{O+}$ $V_{O-}$	$I_L = 0\text{ to }50\text{ mA}$ , $V_{IN} = \pm 30\text{V}$ , $T_j = 25^\circ\text{C}$		3.0 5.0	10 10	mV mV
Load Regulation Over Temperature Range $V_{O+}$ $V_{O-}$	$I_L = 0\text{ to }50\text{ mA}$ , $V_{IN} = \pm 30\text{V}$		4.0 7.0	20 20	mV mV
Output Voltage Balance LM125 LM325	$T_j = 25^\circ\text{C}$			±150 ±300	mV mV
Output Voltage Over Temperature Range LM125 LM325	$P \leq P_{MAX}$ , $0 \leq I_O \leq 50\text{ mA}$ , $18\text{V} \leq  V_{IN}  \leq 30$	14.65 14.27		15.35 15.73	V V
Temperature Stability of $V_O$			±0.3		%
Short Circuit Current Limit	$T_j = 25^\circ\text{C}$		260		mA
Output Noise Voltage	$T_j = 25^\circ\text{C}$ , BW = 100 – 10 kHz		150		$\mu\text{V}_{rms}$
Positive Standby Current	$T_j = 25^\circ\text{C}$		1.75	3.0	mA
Negative Standby Current	$T_j = 25^\circ\text{C}$		3.1	5.0	mA
Long Term Stability			0.2		%/kHr
Thermal Resistance Junction to Case (Note 4) LM125H, LM325H			20		$^\circ\text{C/W}$
Junction to Ambient Junction to Ambient	(Still Air) (400 Lf/min Air Flow)		215 82		$^\circ\text{C/W}$ $^\circ\text{C/W}$
Junction to Ambient LM325N	(Still Air)		90		$^\circ\text{C/W}$

**Note 1:** That voltage to which the output may be forced without damage to the device.

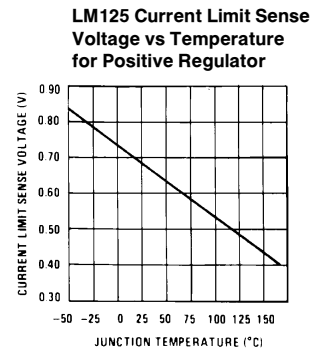
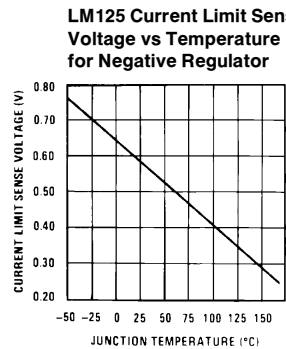
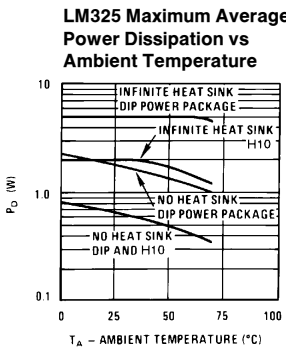
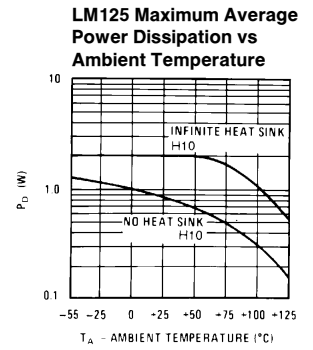
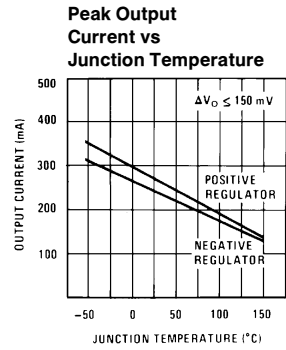
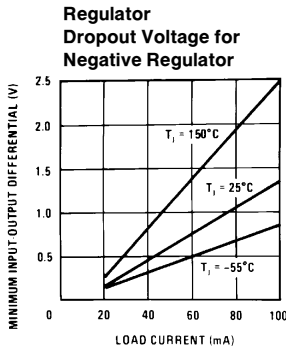
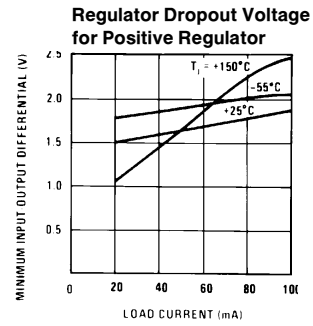
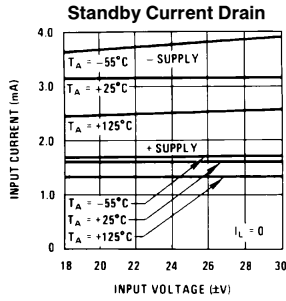
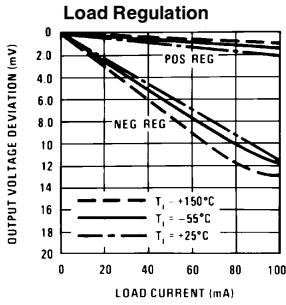
**Note 2:** Unless otherwise specified these specifications apply for  $T_j = 55^\circ\text{C}$  to  $+150^\circ\text{C}$  on LM125,  $T_j = 0^\circ\text{C}$  to  $+125^\circ\text{C}$  on LM325A,  $T_j = 0^\circ\text{C}$  to  $+125^\circ\text{C}$  on LM325,  $V_{IN} = \pm 20\text{V}$ ,  $I_L = 0\text{ mA}$ ,  $I_{MAX} = 100\text{ mA}$ ,  $P_{MAX} = 2.0\text{W}$  for the H10 Package.  $I_{MAX} = 100\text{ mA}$ ,  $I_{MAX} = 100\text{ mA}$ ,  $P_{MAX} = 1.0\text{W}$  for the DIP N Package.

**Note 3:** If the junction temperature exceeds  $150^\circ\text{C}$ , the output short circuit duration is 60 seconds.

**Note 4:** Without a heat sink, the thermal resistance junction to ambient of the H10 Package is about  $155^\circ\text{C/W}$ . With a heat sink, the effective thermal resistance can only approach the junction to case values specified, depending on the efficiency of the sink.

**Note 5:** Refer to RETS125X drawing for military specification of LM125.

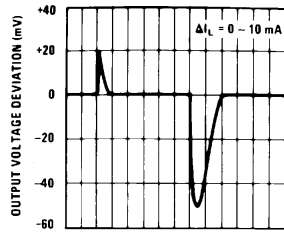
# Typical Performance Characteristics



TL/H/7776-4

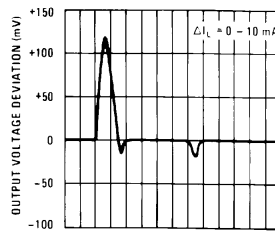
## Typical Performance Characteristics (Continued)

**Load Transient Response for Positive Regulator**



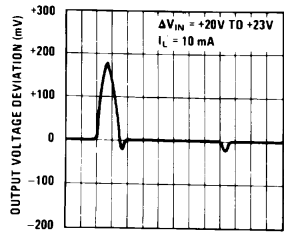
TIME (1µs/DIV)

**Load Transient Response for Negative Regulator**



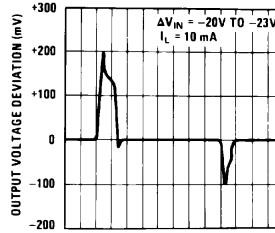
TIME (1µs/DIV)

**Line Transient Response for Positive Regulator**



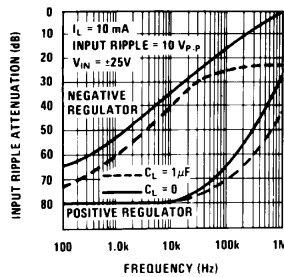
TIME (2µs/DIV)

**Line Transient Response for Negative Regulator**

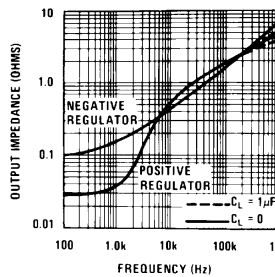


TIME (10µs/DIV)

**Ripple Rejection**



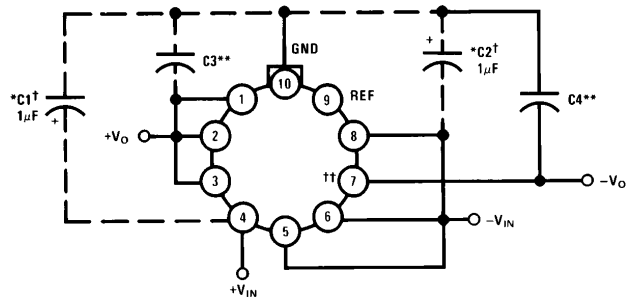
**Output Impedance vs Frequency**



TL/H/7776-5

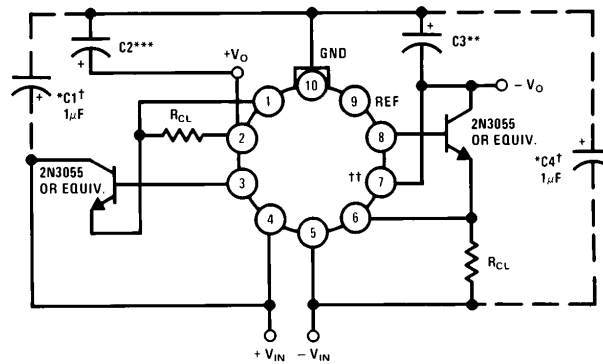
## Typical Applications

Basic Regulator†††



TL/H/7776-6

2.0 Amp Boosted Regulator With Current Limit



TL/H/7776-7

Note: Metal can (H) packages shown.

$$I_{CL} = \frac{\text{Current Limit Sense Voltage (See Curve)}}{R_{CL}}$$

†Solid tantalum

††Short pins 6 and 7 on dip

††† $R_{CL}$  can be added to the basic regulator between pins 6 and 5, 1 and 2 to reduce current limit.

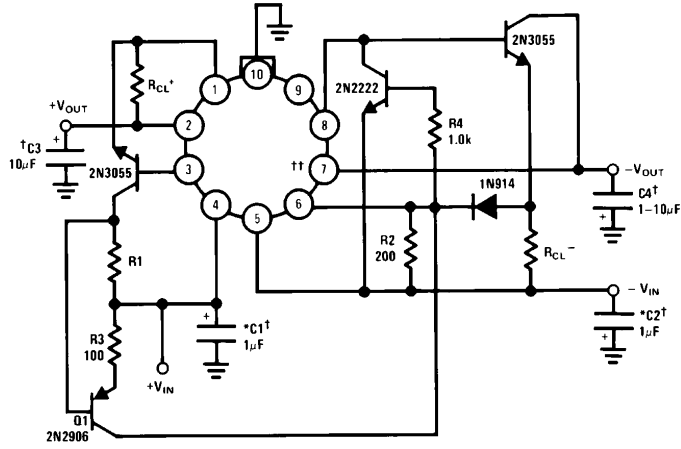
\*Required if regulator is located an appreciable distance from power supply filter.

\*\*Although no capacitor is needed for stability, it does help transient response. (If needed use 1  $\mu$ F electrolytic).

\*\*\*Although no capacitor is needed for stability, it does help transient response. (If needed use 10  $\mu$ F electrolytic).

## Typical Applications (Continued)

### Positive Current Dependent Simultaneous Current Limiting



TL/H/7776-8

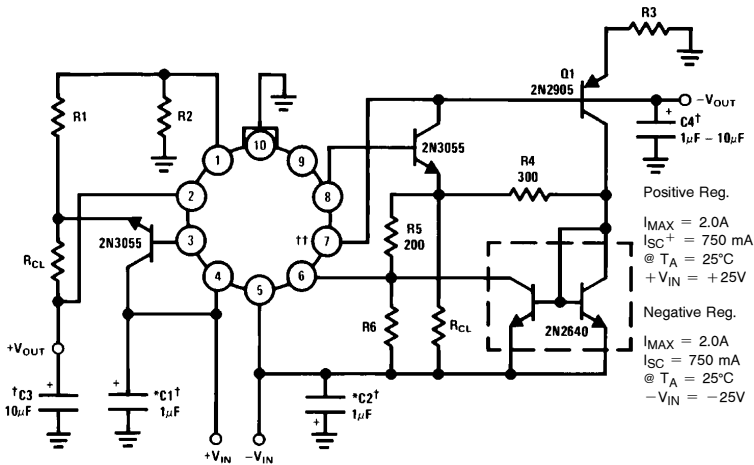
$$I_{CL}^+ = \frac{\frac{V_{SENSE\ NEG}}{2} + V_{BEQ1}}{R1}$$

$$I_{CL}^+ = \frac{V_{SENSE\ NEG} + V_{DIODE}}{R_{CL}^-}$$

$I_{CL}^+$  Controls Both Sides of the Regulator.

$$R_{CL}^+ = \frac{V_{SENSE}^+}{1.1 I_{CL}^+}$$

### Boosted Regulator With Foldback Current Limit



Resistor Values

	125	126
R1	18	20
R2	310	180
R3	2.4k	1.35k
R6	300	290
RCL	0.7	0.9

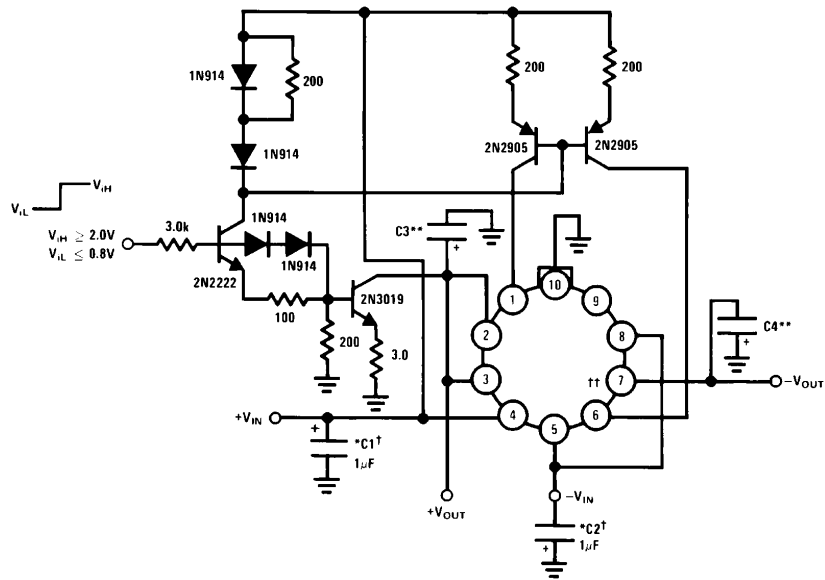
Positive Reg.  
 $I_{MAX} = 2.0A$   
 $I_{SC}^+ = 750\ mA$   
 @  $T_A = 25^\circ C$   
 $+V_{IN} = +25V$

Negative Reg.  
 $I_{MAX} = 2.0A$   
 $I_{SC} = 750\ mA$   
 @  $T_A = 25^\circ C$   
 $-V_{IN} = -25V$

TL/H/7776-9

## Typical Applications (Continued)

### Electric Shutdown



†Solid tantalum

††Short pins 6 and 7 on dip

\*Required if regulator is located an appreciable distance from power supply filter.

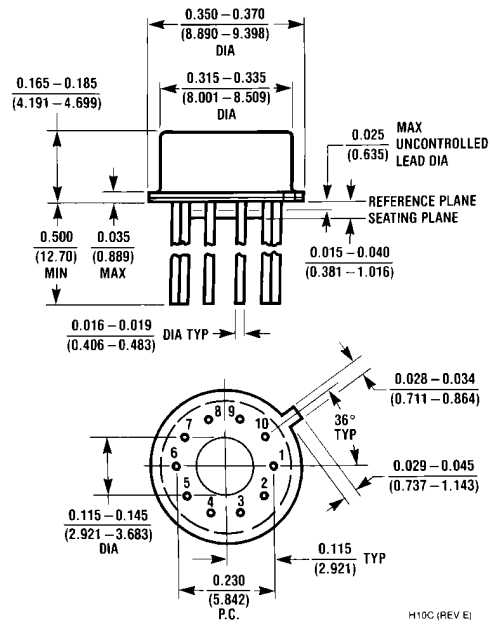
\*\*Although no capacitor is needed for stability, it does help transient response. (If needed use 1  $\mu$ F electrolytic).

TL/H/7776-10





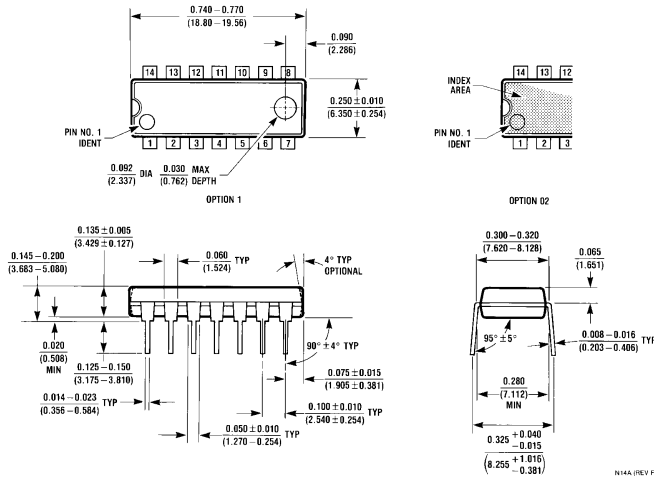
**Physical Dimensions** inches (millimeters)



**Metal Can Package (H)**  
**Order Number LM125H or LM325H**  
**NS Package Number H10C**

H10C (REV E)

**Physical Dimensions** inches (millimeters) (Continued)



**Dual-In-Line Package (N)  
Order Number LM325N  
NS Package Number N14A**

**LIFE SUPPORT POLICY**

NATIONAL'S PRODUCTS ARE NOT AUTHORIZED FOR USE AS CRITICAL COMPONENTS IN LIFE SUPPORT DEVICES OR SYSTEMS WITHOUT THE EXPRESS WRITTEN APPROVAL OF THE PRESIDENT OF NATIONAL SEMICONDUCTOR CORPORATION. As used herein:

1. Life support devices or systems are devices or systems which, (a) are intended for surgical implant into the body, or (b) support or sustain life, and whose failure to perform, when properly used in accordance with instructions for use provided in the labeling, can be reasonably expected to result in a significant injury to the user.
2. A critical component is any component of a life support device or system whose failure to perform can be reasonably expected to cause the failure of the life support device or system, or to affect its safety or effectiveness.



**National Semiconductor Corporation**  
1111 West Bardin Road  
Arlington, TX 76017  
Tel: 1(800) 272-9959  
Fax: 1(800) 737-7018

**National Semiconductor Europe**  
Fax: (+49) 0-180-530 85 86  
Email: cnjwge@tevm2.nsc.com  
Deutsch Tel: (+49) 0-180-530 85 85  
English Tel: (+49) 0-180-532 78 32  
Français Tel: (+49) 0-180-532 93 58  
Italiano Tel: (+49) 0-180-534 16 80

**National Semiconductor Hong Kong Ltd.**  
19th Floor, Straight Block,  
Ocean Centre, 5 Canton Rd.  
Tsimshatsui, Kowloon  
Hong Kong  
Tel: (852) 2737-1600  
Fax: (852) 2736-9960

**National Semiconductor Japan Ltd.**  
Tel: 81-043-299-2309  
Fax: 81-043-299-2408

National does not assume any responsibility for use of any circuitry described, no circuit patent licenses are implied and National reserves the right at any time without notice to change said circuitry and specifications.

This datasheet has been download from:

[www.datasheetcatalog.com](http://www.datasheetcatalog.com)

Datasheets for electronics components.