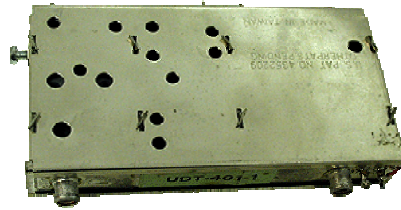


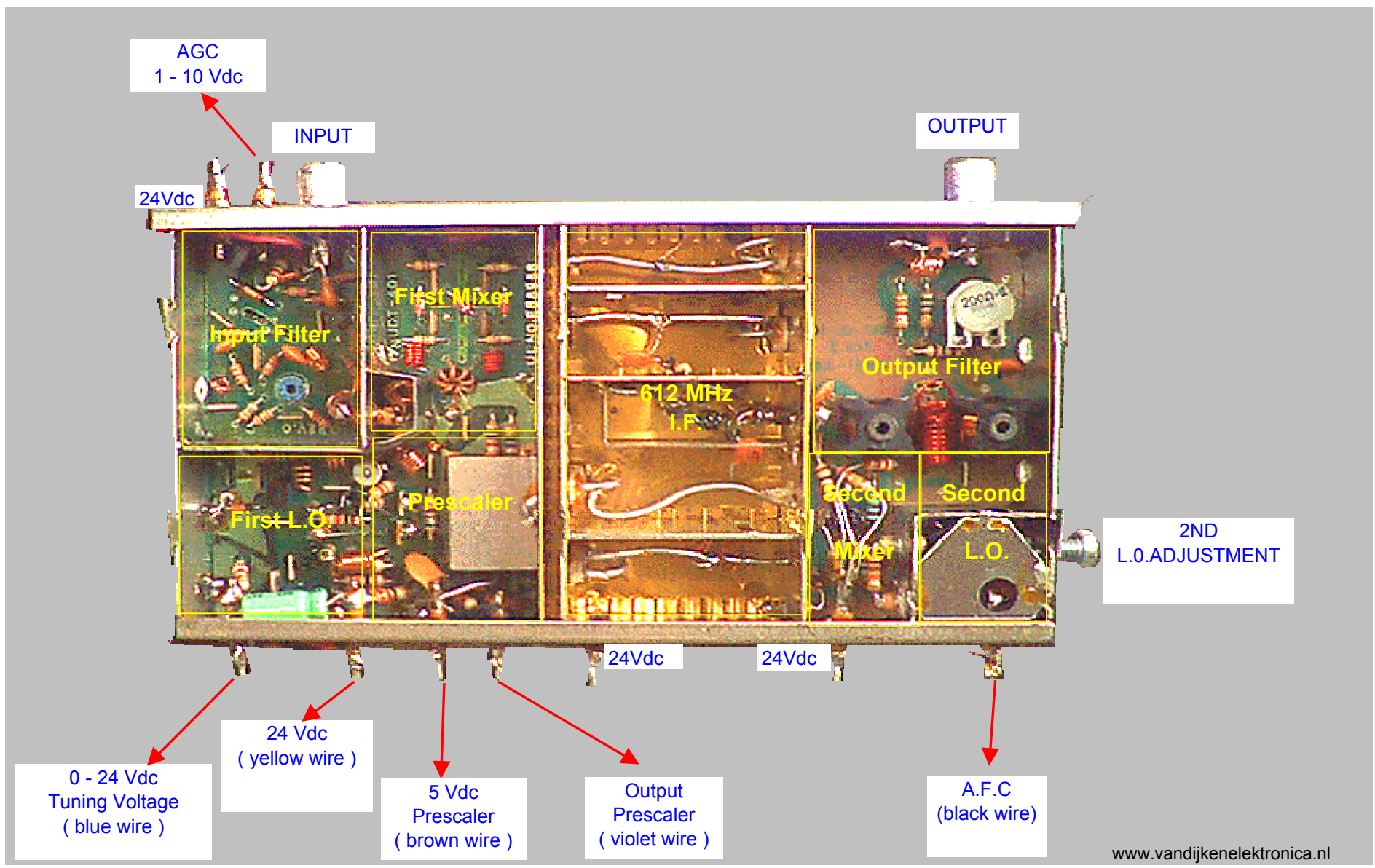
DANTEC TUNER UDT 401

1 - 500 MHz



Technical Specifications

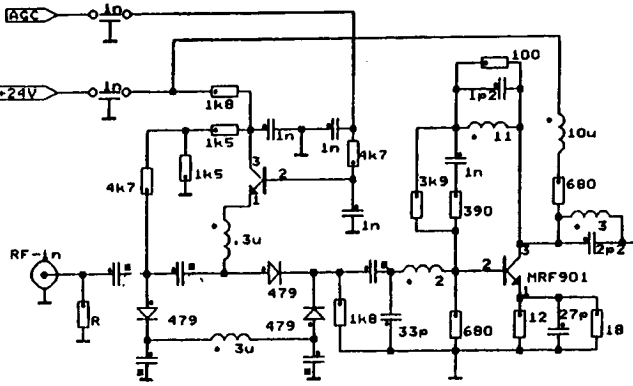
Input impedance.....	75 Ohms
Return loss.....	6 dB minimum , 1-500 Mhz
Noise Figure.....	11dB typical
Frequency Range.....	1-500 MHz
Tuning Voltage	ca. 0 - 24 Volts
Local Oscillator Signal- Level at Input Terminals.....	Max . - 8 dBmV
Spurious signals at Input Terminals.....	1- 500 mhz, - 40dBmV
Output Impedance.....	75 Ohms
Freq.Output Tuner IF.....	ca. 38 MHz (adjustable)
Return Loss.....	14 dB min.
Gain.....	0 dB to 12 dB adjustable level available with internal control 6 dB pad system available with diode switching
Output Bandpass.....	Typical double tuned circuit Output
Prescaler Output.....	Divided first Local Oscillator- frequency by 256 at 0.6 Volts p.p. min.
Cross Modulation.....	- 60 dB at + 15 dBmV Input
Second Order Intermodulation	- 60 dB at + 15 dBmV Input
Image Rejection.....	- 65 dB
Power Requirement.....	24 Vdc supply at 90 mA 5 Vdc supply at 70 mA
Size	132 X 70 X 26 MM



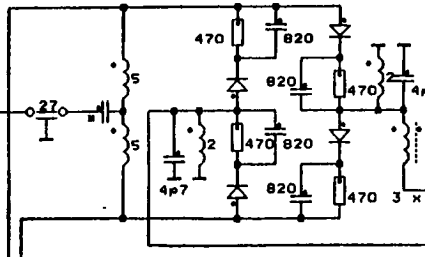
RF AMP

UP-DOWN TUNER UDT-401

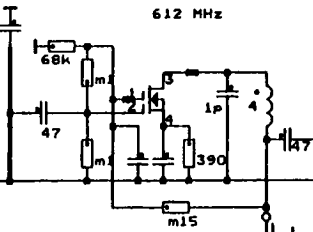
View version



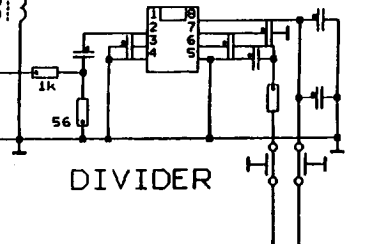
1st MIXER



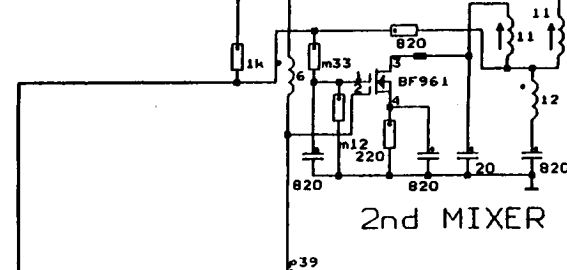
IF AMP



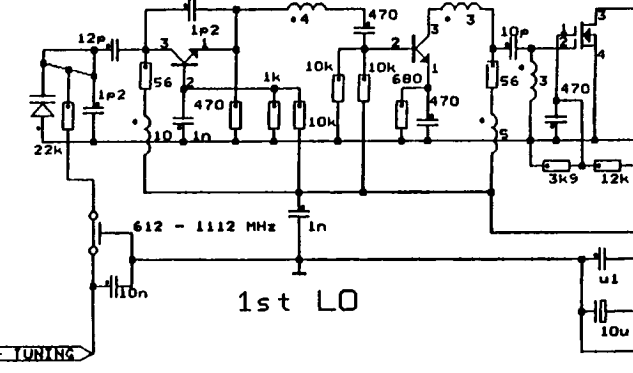
DIVIDER



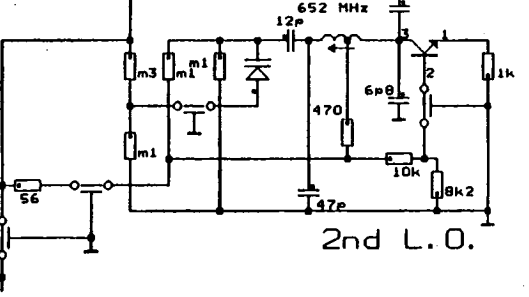
2nd MIXER



1st LO



2nd L.O.



Values are subject of modification without prior notice
Values are as identified but may be different